

6548ZWF \varnothing 65mm*48mm, 无刷风机 Brushless DC Blower

应用领域：医疗器械等精密驱动领域。

Applications: precision drives in medical equipment fields.

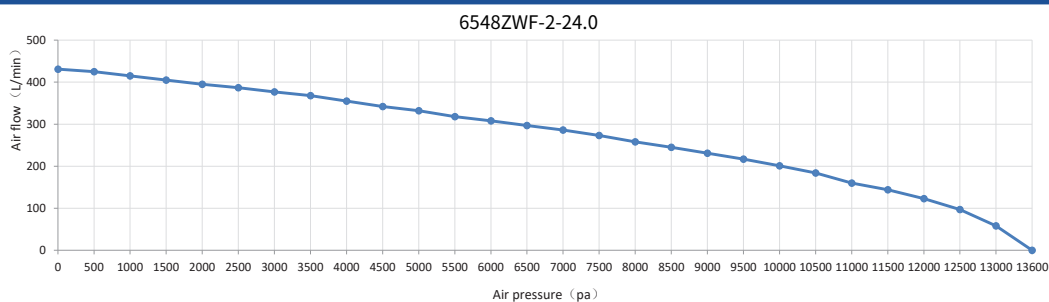
-2-24.0

电机参数 / Motor Data

1	电压	Voltage	V	24.0
2	端电阻	Terminal resistance	Ω	0.19
3	相数	NO. of phase		3
4	输入功率	Input power	W	100
5	额定负载	Rated Load	风叶/Blades (出气孔 / Blow hole: 4mm)	
6	负载转速	Load speed	rpm	50000
7	负载电流	Load current	A	4.4
8	风压	Air pressure	Pa	10000
9	流量	Air flow	L/min	300
10	噪音	Noise	dB	≤ 39
11	重量	Weight	g	272
12	工作温度范围	Operating temperature range	$^{\circ}\text{C}$	10~70

仅供参考，详细了解请以产品规格书为准。
For reference only, please refer to the product specification.

特性曲线 / Characteristics Curve



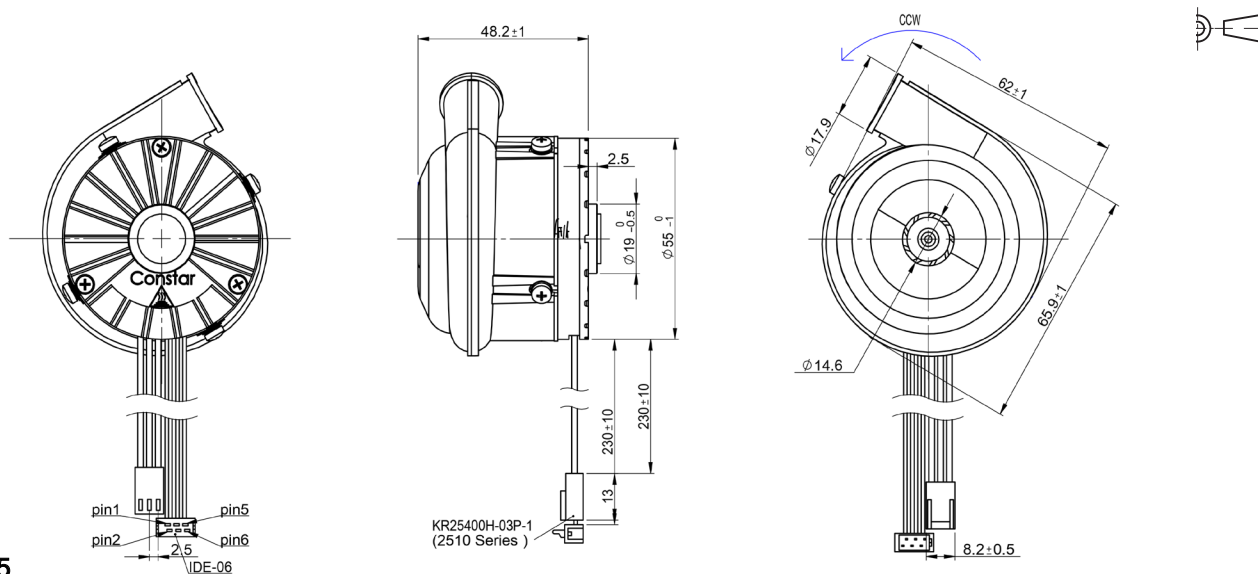
可选配置 / Options

性能 Special coils: 连续运行范围内可定制 customizable in continuous operation range
驱动器 Driver: 可定制 customizable upon request
电气连接 Electrical connection: 端子或导线 connector or wire / 导线长度 lead wires length

端子定义 / Connection

A 霍尔传感器 / hall sensor			B 无传感器 / sensorless AWG 30		
Pin1	Hw	red	Pin1	U	red
Pin2	Hu	grey	Pin2	W	yellow
Pin3	GND	grey	Pin3	V	black
Pin4	Hv	grey	3P lead-out group		
Pin5	NTC	grey			
Pin6	H+	grey			

外观图 / Outline Drawing



M 1:2.5

规格如有变更，恕不另行通知。Specification subject to change without notice.

www.constarmotor.com