

# 6568ZWF $\varnothing$ 65mm\*68mm, 无刷风机 Brushless DC Blower

应用领域：医疗器械等精密驱动领域。

Applications: precision drives in medical equipment fields.

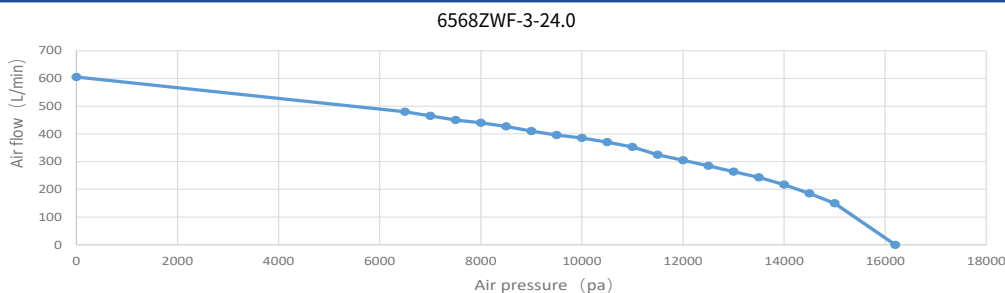
-3-24.0

## 电机参数 / Motor Data

1	电压	Voltage	V	24.0
2	端电阻	Terminal resistance	$\Omega$	0.2
3	相数	NO. of phase		3
4	输入功率	Input power	W	200
5	额定负载	Rated Load	风叶 /Blades ( 出气孔 / Blow hole: 4mm)	
6	负载转速	Load speed	rpm	66000
7	负载电流	Load current	A	9.0
8	风压	Air pressure	Pa	13000
9	流量	Air flow	L/min	600
10	噪音	Noise	dB	$\leq 40$
11	重量	Weight	g	237
12	工作温度范围	Operating temperature range	$^{\circ}\text{C}$	10~70

仅供参考，详细了解请以产品规格书为准。  
For reference only, please refer to the product specification.

## 特性曲线 / Characteristics Curve



## 可选配置 / Options

性能 Special coils: 连续运行范围内可定制 customizable in continuous operation range

驱动器 Driver: 可定制 customizable upon request

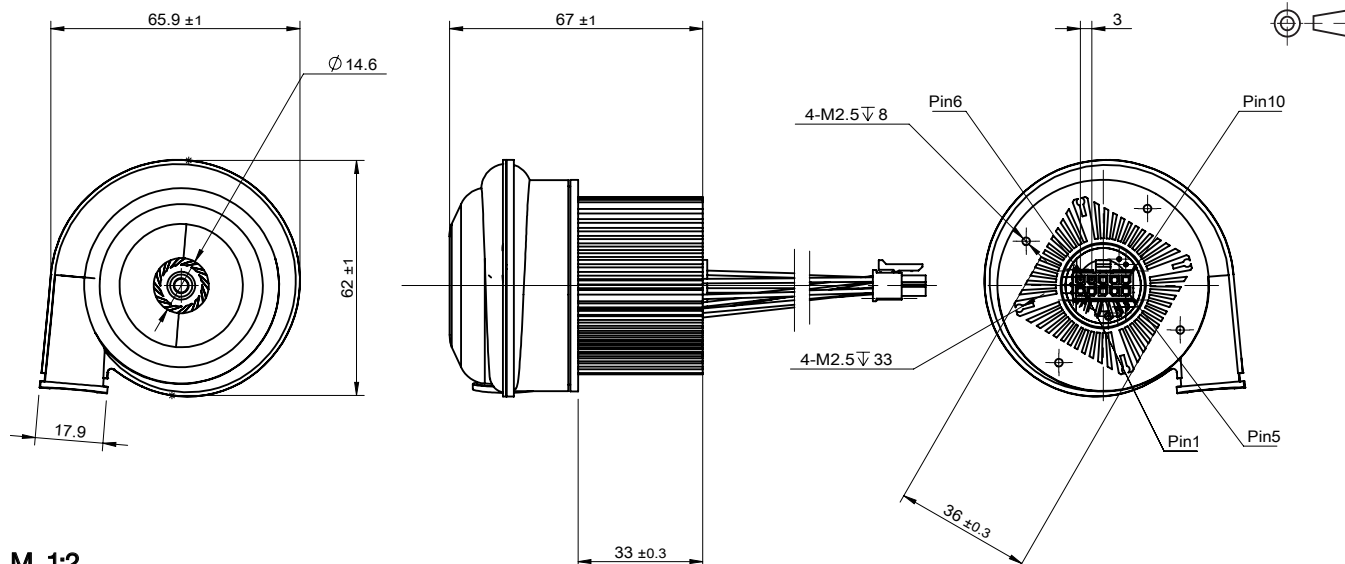
电气连接 Electrical connection: 端子或导线 connector or wire / 导线长度 lead wires length

## 端子定义 / Connection

霍尔传感器 /hall sensor  
AWG 26/AWG 18

Pin1	Hu	red	Pin9	V	black
Pin2	Hw	white	Pin10	IT2	green
Pin3	H+	black			
Pin4	U	white			
Pin5	IT1	blue			
Pin6	U	black			
Pin7	GND	blue			
Pin8	W	red			

## 外观图 / Outline Drawing



M 1:2