

2734ZDR $\varnothing 27\text{mm} \times 33.5\text{mm}$

应用领域：电动牙刷、保健器材、清洁用具等领域。

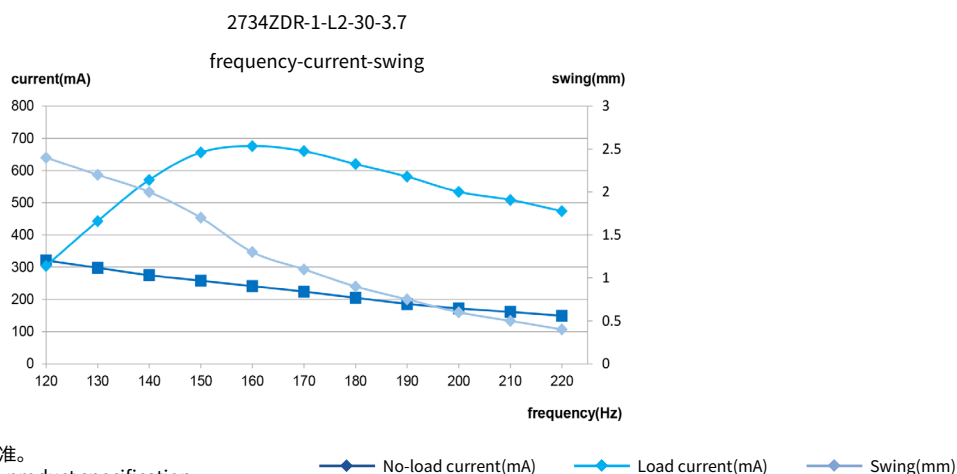
Applications: electric toothbrush, health care equipment, cleaning equipment, etc.

-1-L2-30-3.7 -2-L13-30-3.7 -1-L3-25-5.0

电机参数 / Motor Data

电机参数 / Motor Data			-1-L2-30-3.7	-2-L13-30-3.7	-1-L3-25-5.0
1 电压	Voltage	V	3.7	3.7	5.0
2 直流电阻	Resistance	Ω	3	2.5	3
3 工作频率范围	Operating frequency range	Hz	100~240	100~240	100~240
4 空载振动频次	No-load vibration frequency	Times/minute	30000	30000	30000
5 空载振动电流	No-load current	mA	150	220	150
6 启动转矩	Starting torque	mNm	56	56	75
7 启动电流	Starting current	A	1.23	1.48	1.67
8 负载 (刷头)	Rated load (Brush head)	g	13.8/41	13.8/41	13.8/41
9 负载振动频次	Load vibration frequency	Times/minute	20400	20400	20400
10 负载电流	Load current	mA	580	630	670
11 转子惯量	Rotor inertia	gcm^2	2.4	2.4	2.4
12 重量	Weight	g	76	76	76
13 工作温度范围	Operating temperature range	$^{\circ}\text{C}$	-10~+60	-10~+60	-10~+60

特性曲线 / Characteristics Curve



仅供参考，详细了解请以产品规格书为准。
 For reference only, please refer to the product specification.

可选配置 / Options

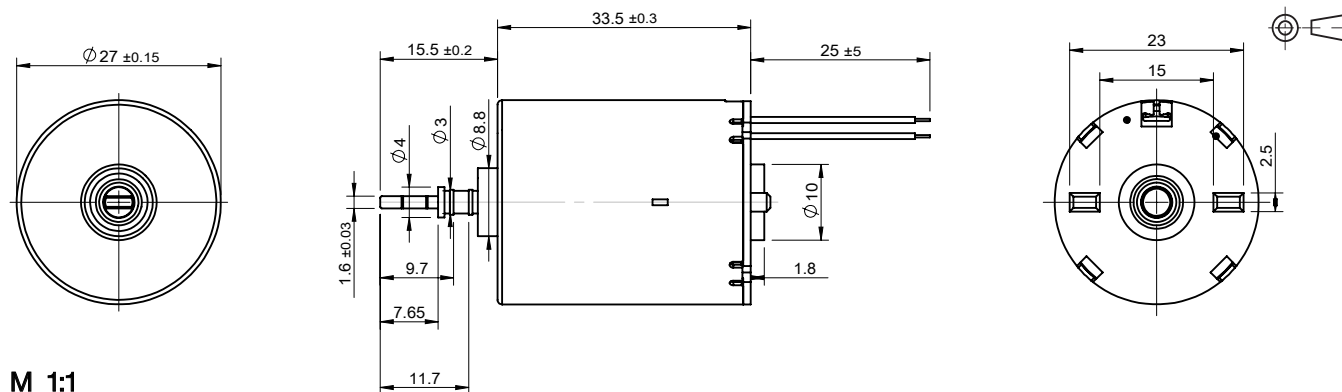
性能 Special coils: 连续运行范围内可定制 customizable in continuous operation range

法兰 Flange: 标准前后法兰 standard front and rear flanges / 定制法兰 custom flanges

轴 Shaft: 长度 length / 异形 shape

电气连接 Electrical connection: 端子或导线 connector or wire / 导线长度 lead wires length

外观图 / Outline Drawing



M 1:1