

VL0614N5M $\varnothing 6\text{mm} \times 13.9\text{mm}$, 贵金属电刷 Precious Metal Brushes

应用领域：穿戴设备、手机、平板电脑、保健器材等领域。

Applications: wearable products, mobile phones, tablet PC's, health care products, etc.

51-102-3.0 17-150-1.5 41-71-1.3

电机参数 / Motor Data

1	电压	Voltage	V	3.0	1.5	1.3
2	端电阻	Terminal resistance	Ω	18	3.3	8.1
3	转速	Speed	rpm	10200	15000	7100
4	电流	Current	mA	50	100	50
5	启动电压	Starting voltage	V	0.6	0.6	0.6
6	堵转电流	Stall current	mA	180	170	170
7	重量	Weight	g	2.9	2.25	2.8
8	工作温度范围	Operating temperature range	$^{\circ}\text{C}$	-10~+65	-10~+65	-10~+65

可选配置 / Options

性能 Special coils: 连续运行范围内可定制 customizable in continuous operation range

法兰 Flange: 标准前后法兰 standard front and rear flanges / 定制法兰 custom flanges

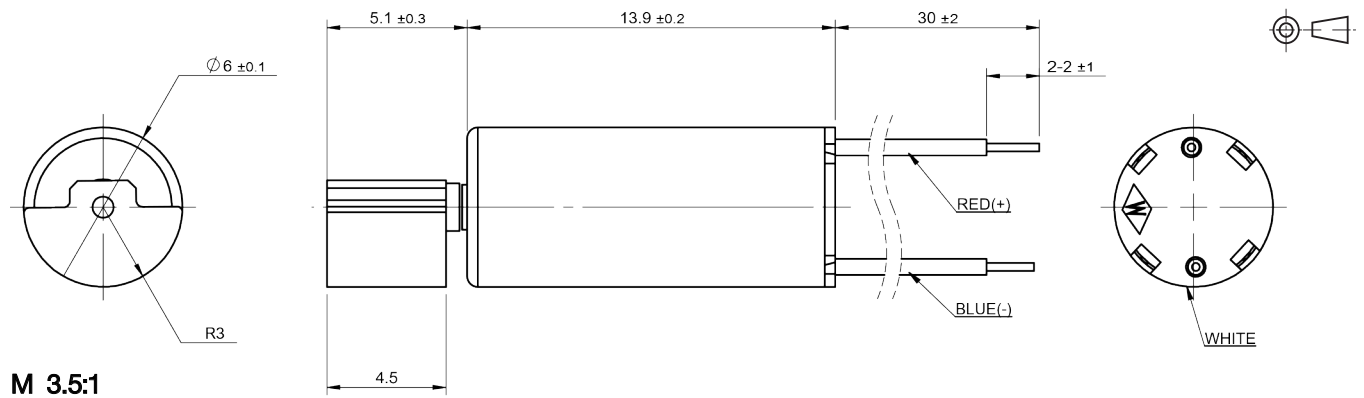
轴 Shaft: 长度 length / 异形 shape

电气连接 Electrical connection: 端子或导线 connector or wire / 导线长度 lead wires length

偏心锤 Eccentric weight: 可定制 customizable

胶套 Silicone sets: 可定制 customizable

外观图 / Outline Drawing



M 3.5:1